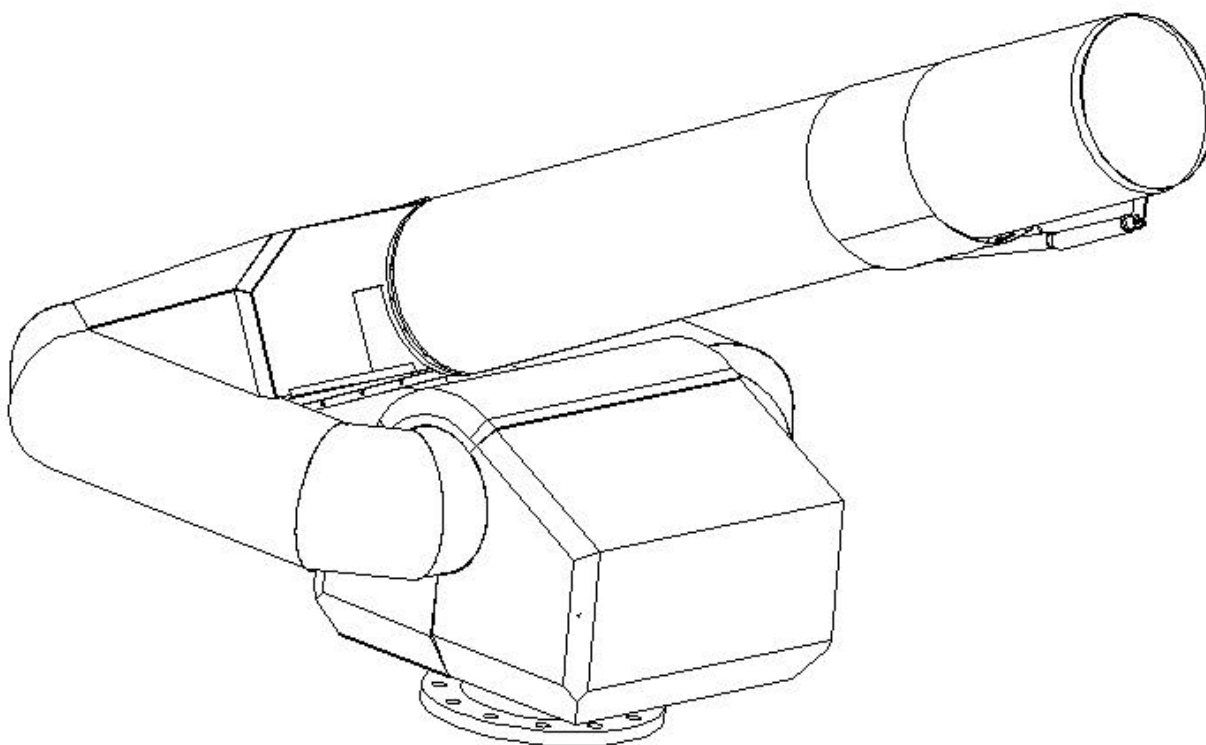


# ***FIRECHIEF* SERIES FC-3600**



## **Fire Fighter Class II monitor**

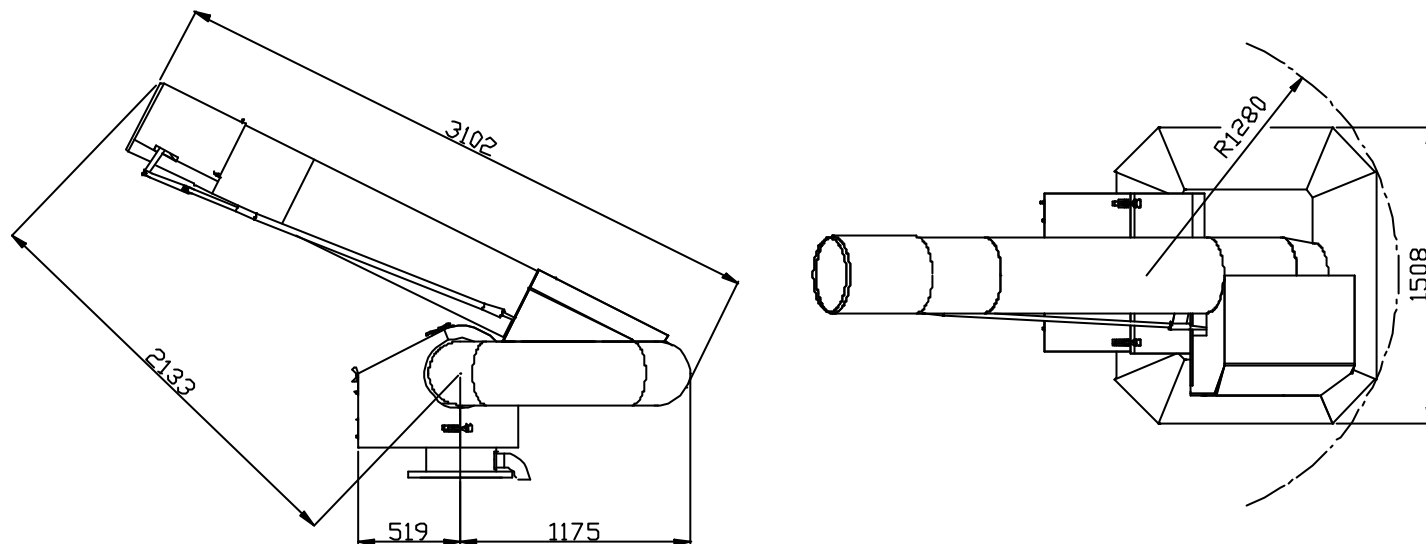
Svenska Skum AB  
Box 674  
S-442 18 Kungälv  
SWEDEN

Tel: +46 303 57700  
Fax: +46 303 5200

# FIRECHIEF SERIES FC-3600



## Dimensions:



### **Technical data:**

Nominal capacity:	3.600m <sup>3</sup> /h.
Max working pressure:	16 bar (232psi).
Horizontal sector:	270 degr.
Elevation sector:	- 15 to + 75 degr.
Inlet connection:	400 DIN PN16
Materials:	Stainless steel & bronze.
Surface treatment:	Primer and red epoxy coat.
Weight, approx:	650 kg + options.
Throw length/height:	As pr. FI-FI II.
Reaction force:	to be calculated.

### **Standard equipment:**

Electrical control equipment  
Terminal box for electrical connection.  
Adjustable mechanical end stops.  
Limit switches  
Manual override

### **Optional equipment:**

Spray deflector  
Position sensors

### **Features:**

Minimum maintenance  
Excellent performance  
Low weight  
FI-FI II approval